

# 030-1875 Flush Mounted Paddle/ Handle With Free-Floating Paddle



This flush mounted paddle handle with free-floating paddle (when locked) is a redesign of our popular 030-0875 Flush Mounted Paddle Handle. Containing an update to the mechanical design and with a modernized look, it can be used in FMVSS 206 (ECE R11) applications, is power lockable and features same four point pivot plate and lock cam actuation.

#### **DESIGNED FOR:**

- Medium to heavy-duty on-highway vehicle entrance doors where free-floating handle is preferred
- Off-highway applications-- construction, mining, forestry and agricultural
- On-highway-- emergency vehicles

#### **Global Locations:**

**TriMark Corporation**  
500 Bailey Avenue  
P.O. Box 350  
New Hampton, Iowa 50659  
United States  
Tel: 641-394-3188  
Fax: 641-394-2392  
1-800-447-0343  
www.trimarkcorp.com

**TriMark Europe**  
Cedar Court  
Walker road  
Bardon Hill  
Coalville LE67 1TU  
United Kingdom  
Tel: +44(0)1530 512460  
Fax: +44(0)1530 512461  
www.trimarkeu.com

**TriMark (Xuzhou)**  
Building A5 Jingwu Road  
Xuzhou Economic  
Development Zone  
Xuzhou, Jiangsu  
221004 PR China  
Tel: +86 516 8773 0018  
Fax: +86 516 8773 0058  
www.trimarkcn.com



TriMark. Interactive. Product. Selector



TriMark




TriMark Corporation

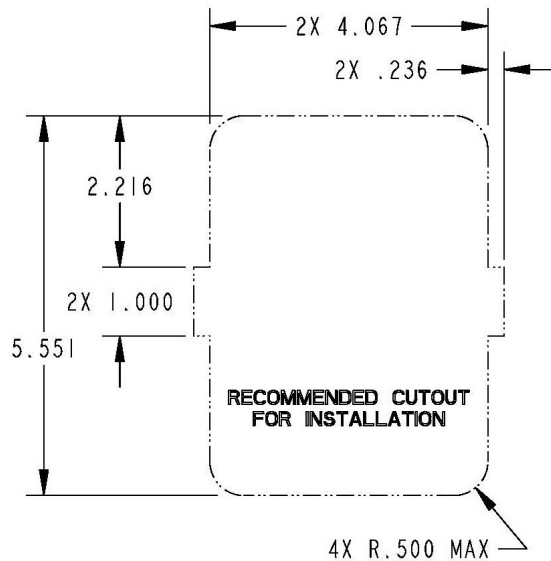
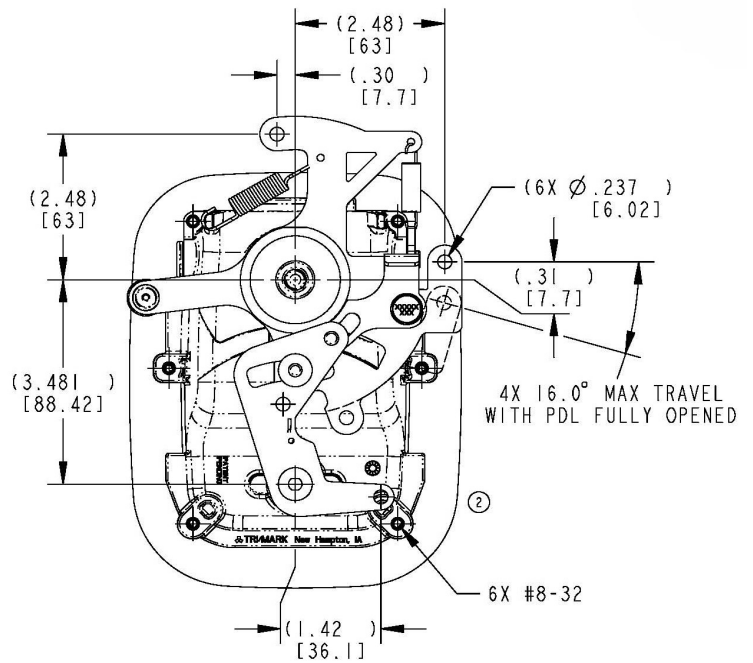
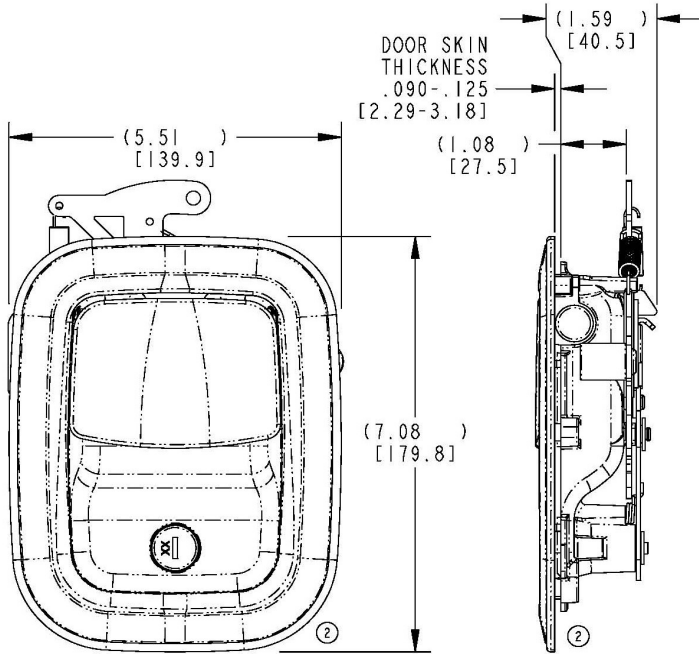
### FEATURES/BENEFITS:

- Automotive styling preferred by customers in the ambulance and fire truck market
- Multiple connection points for use on inside lock and power lock actuation
- Easy installation - do not have to maneuver large pivot plate through cut-out in the door
- Molded rubber gasket and o-rings on the axle for better water infiltration resistance
- Non-slip tape added for secure opening of the door

### AVAILABLE:

- Left and right hand configurations available
- Includes gasket for flange of housing to provide resistance to water and dirt infiltration
- Handle can be keyed to match other TriMark door product with KeyOne™ Plus for a single-key system, keyed alike or provided non-locking 
- Customized bezel/trim for unique look for customers with the request of an added logo
  - ◊ Bezel kits sold separately (part number 36784)

For more information visit  
[www.trimarkcorp.com](http://www.trimarkcorp.com)



**MATERIAL:**

- Paddle and housing: Sturdy die cast zinc alloy
- Pivot components: Heat-treated mild steel for wear resistance
- Bushing for paddle axle and thrust washer for pivot plate: Nylon 6/6

**FINISH:**

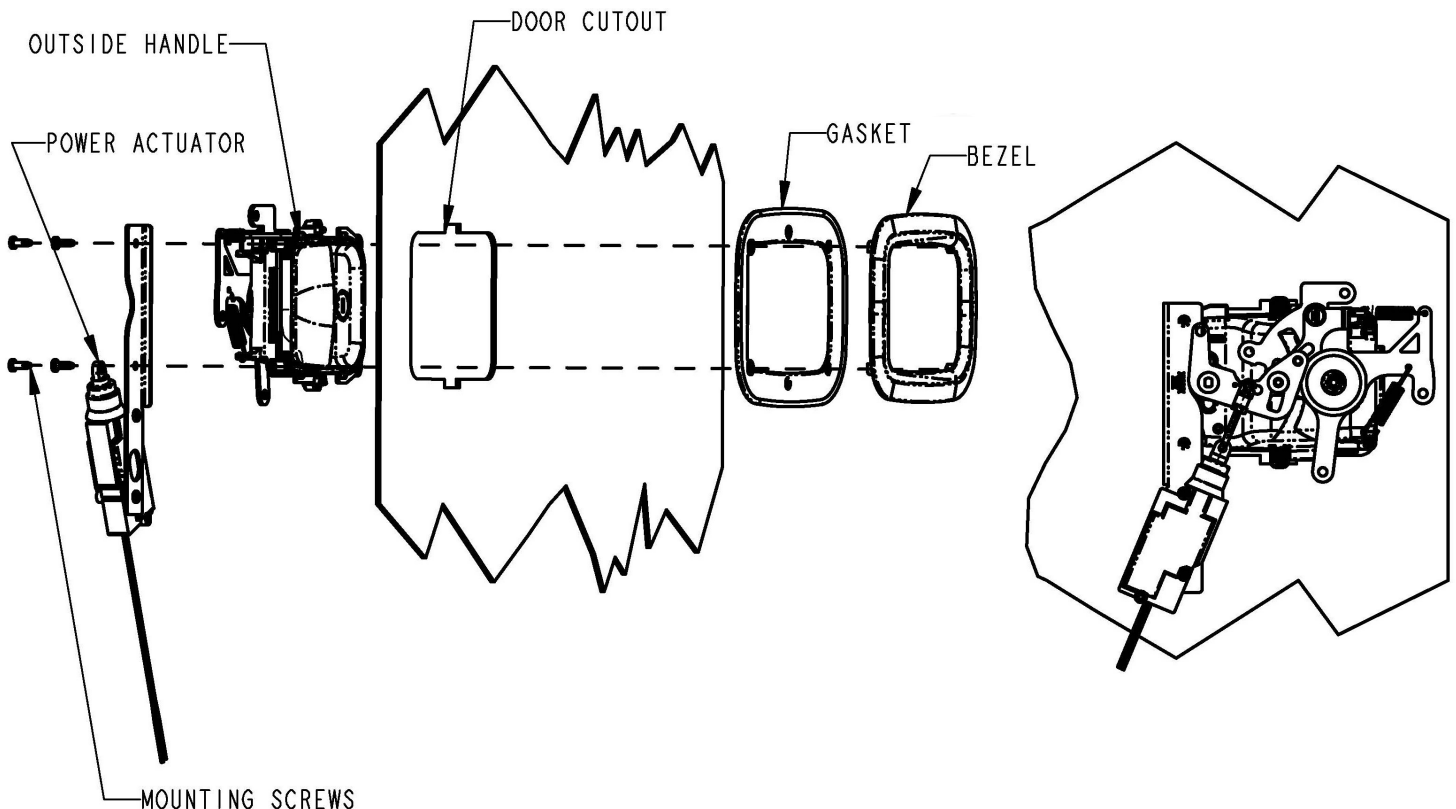
- Available in a variety of finishes including black powder coated, high quality buffed CNNC chrome or a combination of black/chrome finish

**INSTALLATION:**

- Design provides for easy installation without a mounting bracket with the use of (6) #8-32 fasteners
- Can be installed in a wide range of locations in door -- either horizontal or vertical orientation (left hand shown)
- Installs into current 030-0875 cut-outs
- Door skin thickness - .083"-.127" (2.11mm-3.22mm)

**U.S. Patent No. 8,881,564 / 10,024,085**  
**Design Patent No. D694,087**

Individual part dimensions are for reference only. Refer to individual part drawings for complete dimensions, specifications, and installation procedures. Engineering assistance and application drawings are available.



**CAUTION:** Applications of this product may fall within the requirements of FMVSS 206 (ECE R11) and SAE J839 safety standards. These safety related requirements are dependent on door application, e.g. front and rear hinged doors, sliding doors, or hinged upward swinging doors. The entire door hardware system must be included in the design/analysis process latch, handle, lock mechanism, cables/rods/linkages, fasteners, hinges, etc. This ensures compatibility of all components within the hardware system. If FMVSS 206 (ECE R11) is a requirement, then all of the components within the door system must comply with strength, inertia and locking requirements as specified within the Standard. Note that this product complies with FMVSS 206 (ECE R11) when tested in accordance with SAE J839 and that this product meets FMVSS 206 (ECE R11) locking requirements and may be used in FMVSS 206 (ECE R11) applications pending TriMark application approval.